



## T168 PROPORTIONAL THERMOSTAT

SMART ENERGY MANAGEMENT



### HIGHLIGHTS

- Microprocessor Control
- 0-10 VDC or 4-20 mA Outputs
- Low Voltage Fan Cycling Capability
- Three-Speed Fan Switching Available
- 2-pipe/4-pipe Configuration
- Auto Changeover Capability
- Setback Capability
- Staged/Auxillary Heat Capability
- Operates at 50 or 60 Hz
- Fahrenheit or Celsius Display
- Local or Remote Sensing

### Precision Zone Control

The T168 microprocessor thermostat is a stand-alone digital controller that supplies 0-10 VDC or 4-20 mA output control of valves and dampers. The use of an advanced proportional integral (PI) algorithm allows precise control of zone comfort under varying operational and environmental conditions.

### Easy-to-Use Display

The digital display, with easy-to-use adjustment buttons, allows convenient access to current zone temperature, setpoint temperature and operating mode.

### Optimal Flexibility

This flexible control offers auto changeover, setback and staged/auxiliary heat for adapting to application requirements.

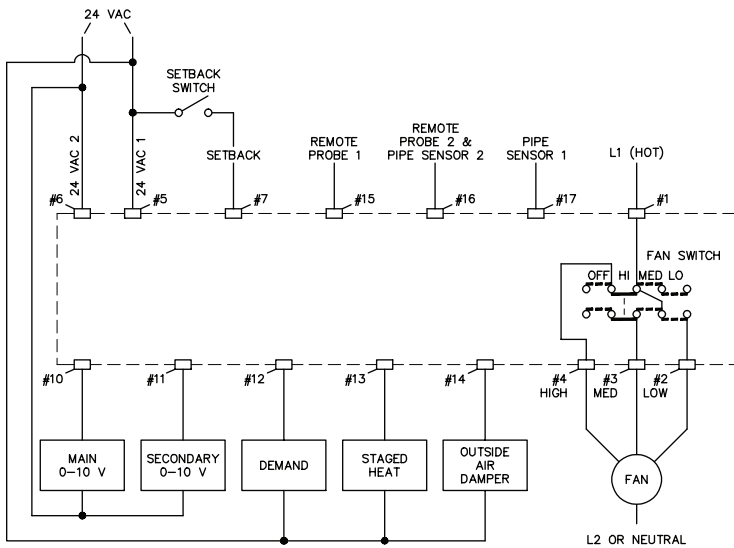
# T168 PROPORTIONAL THERMOSTAT

## TECHNICAL SPECIFICATIONS

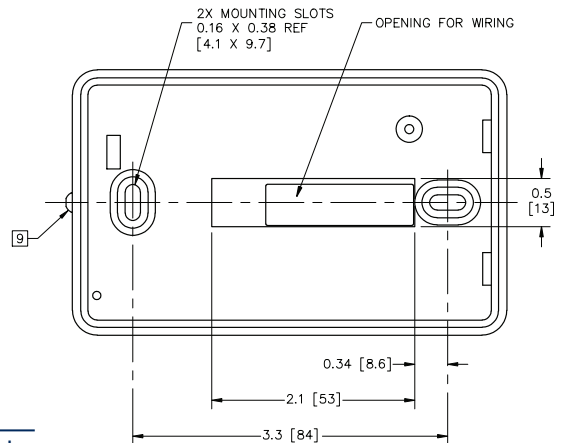
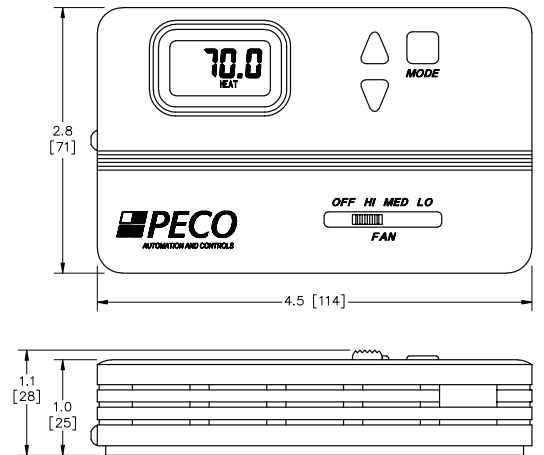
Supply Voltage	20-30VAC, 24VAC nom.
Control Signal, Voltage	0-10VDC, min 1k $\Omega$
Control Signal, Current	4-20mA, between 100 $\Omega$ and 600 $\Omega$
Proportional Bandwidth	2°F / 1°C
Temperature Range	50 to 90°F / 10 to 32°C
Maximum Ambient	130°F / 54°C
Mounting	Installs on a standard 2" x 4" (50.8mm x 101.6mm) device box
Agency Approvals	UL, UL Canada, CE



## WIRING DIAGRAM



## MOUNTING INSTRUCTIONS



## RATINGS

VOLTAGE RATING	FAN SWITCH			PILOT DUTY	THERMOSTATIC SWITCHING (PILOT DUTY)
	INDUCTIVE FLA	RESISTIVE LRA	RESISTIVE AMPS		
24 VAC	N.A.	N.A.	N.A.	24 VA	10 VA
120 VAC	5.8	34.8	6.0	125 VA	N.A.
240 VAC	2.9	17.4	5.0	125 VA	N.A.
277 VAC	2.4	14.4	4.2	125 VA	N.A.

## MODEL SELECTION GUIDE

Model	Part Number	Description
TA168-100	68734	T168 Proportional Thermostat



Automation and Controls  
Division of PECO, Inc.  
PO Box 82189, Portland, OR 97282

Phone: 800-874-8547 / 503-233-6401  
Email: sales@pecomanufacturing.com  
www.pecomanufacturing.com