



T180 PROGRAMMABLE THERMOSTAT

SMART ENERGY MANAGEMENT



HIGHLIGHTS

- 7 Day Programmable
- Energy Star, ASHRAE 90.1, and Title 24 Compliant
- 24 or 110-277 VAC Supply Voltage Selection
- Auto-Staged Fan Available
- Occupancy HVAC Control Input
- Controlled Off Safety Option
- Key Pad Lockout - Partial or Full
- Setback Capability
- 2-pipe/4-pipe Configuration
- Auto Summer/Winter Changeover Option
- Local or Remote Sensing
- LCD Display with Backlight
- Fahrenheit or Celsius Display

A New Standard in Fan Coil Thermostats

The T180 thermostat brings smart energy management to the fan coil market, featuring Title 24 and Energy Star compliance. The T180 offers full 7 day, 4 event programmability making it ideal for condominiums, residential care facilities, or any fan coil application where programmability is mandated by code.

A Broad Range of Adjustments

Various configurations can supply staged fan, cycled fan, continuous fan, controlled off and fan coil operation. Additional energy saving features include range limit adjustment, staged fan, occupancy and setback control.

The T180 retains all of the capability and flexibility that made the T170 a market favorite including 2/4 pipe support, built-in occupancy detection logic, remote probe capability, and an ADA-compliant design.

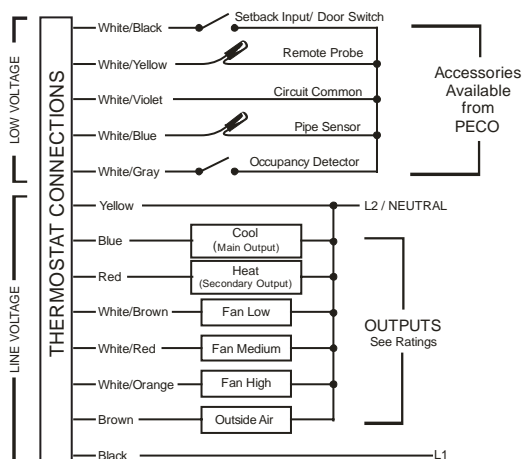
T180 PROGRAMMABLE THERMOSTAT

TECHNICAL SPECIFICATIONS

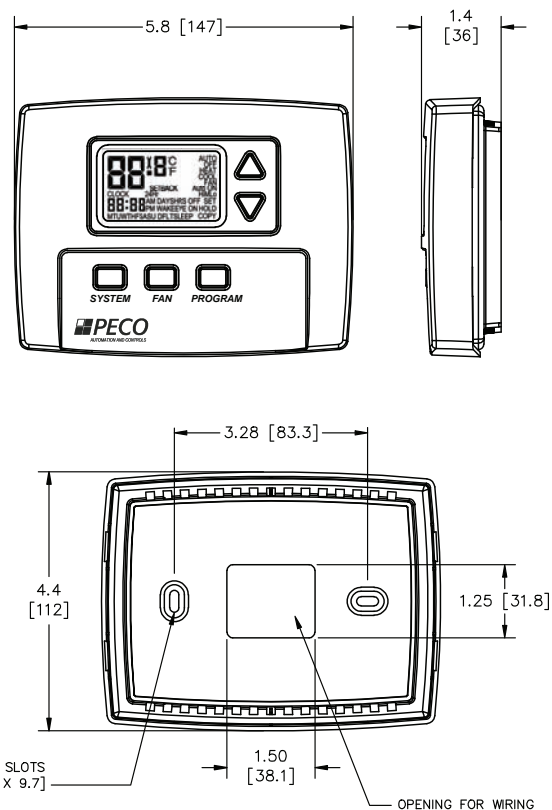
Temperature Range	50 to 90°F / 10 to 32°C factory default, adjustable inward
Maximum Ambient	130°F / 54°C
Load Connections	Wire leads
Mounting	Installs on a standard 4" x 4" (101.6mm x 101.6mm) device box with a 2" x 4" (50.8mm x 101.6mm) horizontal mud ring
Agency Approvals	UL, UL Canada



WIRING DIAGRAM



MOUNTING INSTRUCTIONS



RATINGS

VOLTAGE	RATINGS		RES AMPS	PILOT DUTY	HP
	FLA	LRA			
24 VAC	NA	NA	NA	24 VA	NA
120 VAC	5.8	34.8	6.0	125 VA	1/4
240 VAC	2.9	17.4	5.0	125 VA	1/4
277 VAC	2.4	14.4	4.2	125 VA	1/4

COMBINED LOAD CURRENT NOT TO EXCEED 20 AMPS

MODEL SELECTION GUIDE

Model	Part Number	Description
TA180-001	69378	7-Day Programmable, 3 Fan Speeds, 24-277VAC, FC Stat
TB180-001	69379	7-Day Programmable, Staged Fan Speed, 24-277VAC, FC Stat



Automation and Controls
Division of PECO, Inc.
PO Box 82189, Portland, OR 97282

Phone: 800-874-8547 / 503-233-6401
Email: sales@pecomanufacturing.com
www.pecomanufacturing.com