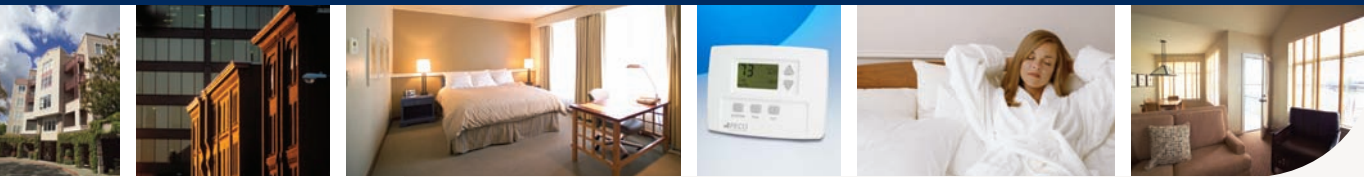


TH170 HEAT PUMP THERMOSTAT WITH HUMIDITY CONTROL

SMART ENERGY MANAGEMENT



HIGHLIGHTS

- Dehumidification/Humidity Control
- Up to 2 Stages of Fan
- Up to 2 Stages of Compressor
- 24 VAC
- Occupancy Control
- LCD Display with Backlight
- Fahrenheit or Celsius Display
- Auto-Staged Fan or AUX Heat
- Setback Capability
- Off Override Capability
- Outdoor Air Sensor
- Remote Probe
- ADA Compliant Keypad and Display
- Key Pad Lockout

Industry Best Humidity Control

Don't settle for a simple temperature adjustment to control humidity. Look to the TH170 for thirteen different user-selectable humidify, dehumidify, and economizer strategies. Only the TH170 has the flexibility to maximize comfort regardless of the application environment.

Energy Savings without Expensive BAS

Built-in occupancy logic, setback control, range limits, and fan staging means greater energy savings and comfort in every application.

A New Standard of Flexibility and Versatility

With an ADA-compliant design, a wide range of humidity and fan control selections, full support for IAQ (Indoor Air Quality) standards, and superior heat pump control logic, the TH170 is your best choice for commercial facilities, public spaces, and managed care facilities.

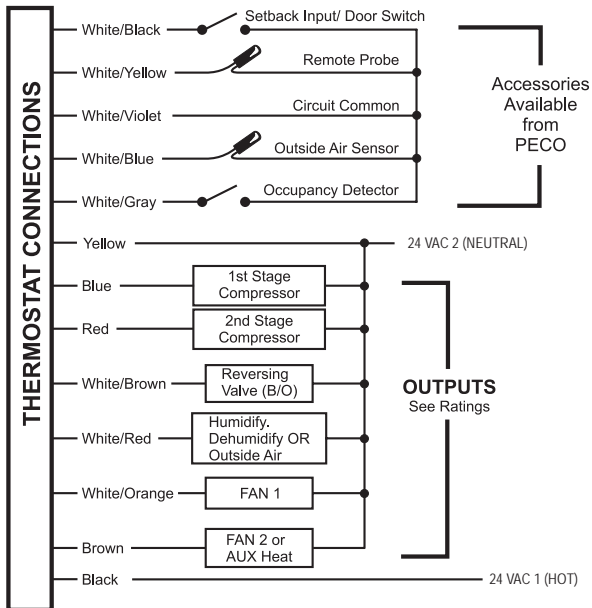
TH170 HEAT PUMP THERMOSTAT WITH HUMIDITY CONTROL

TECHNICAL SPECIFICATIONS

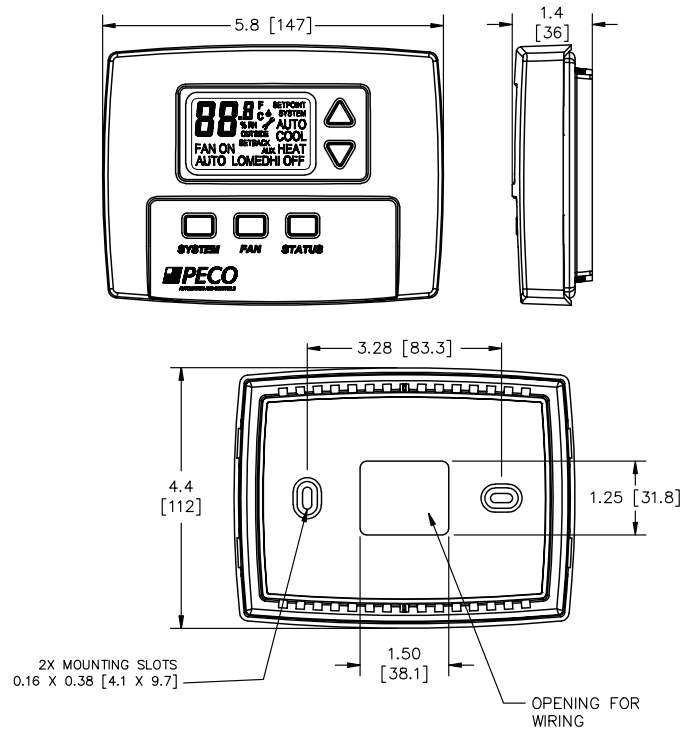
Temperature Range	50 to 90°F / 10 to 32°C factory default, adjustable inward
Maximum Ambient	130°F / 54°C
Load Connections	Wire leads
Mounting	Installs on a standard 4" x 4" (101.6 mm x 101.6mm) device box with a 2" x 4" (50.8mm x 101.6mm) horizontal mud ring
Agency Approvals	UL, UL Canada
System Selection	Off-Heat-Cool-Auto-Aux Heat-Setback
Fan Selection	On-Auto or Hi-Low-Auto
Input Voltage	24 VAC
Output Voltage	24 VAC, Pilot Duty 24 VA



WIRING DIAGRAM



MOUNTING INSTRUCTIONS



RATINGS

INPUT VOLTAGE	OUTPUT RATINGS	
	VOLTAGE	PILOT DUTY
24 VAC	24 VAC	24 VA

MODEL SELECTION GUIDE

Model	Part Number	Description
TH170-001	68831	Heat Pump Control
TH170-002	68832	Heat Pump with Humidity Control



Automation and Controls
 Division of PECO, Inc.
 PO Box 82189, Portland, OR 97282

Phone: 800-874-8547 / 503-233-6401
 Email: sales@pecomanufacturing.com
 www.pecomanufacturing.com