

Installation Instructions

INSTALLATION

1. TF155 model thermostat installs, with two furnished mounting screws to: a standard 2" x 4" device box, box plaster ring combination, or to a 4" x 4" device box with an accessory mounting plate. The TF155 will also mount on either a flush wall surface or panel.
2. For wall installations, mount the thermostat on an inside wall approximately 5 feet above the floor.
3. To remove cover, first set the knob to mid span and remove. Mount thermostat base assembly to the outlet box using the screws provided, tighten the screws evenly but do not over tighten. Connection is made by inserting 6 pin plug into mating socket.
4. Reinstall the cover assembly. Reinstall the knob to complete installation.



CAUTION

- Use Copper wire only, insulate or wire nut all un-used leads.
- Any wiring, including the remote probe, may carry the full operating voltage of the thermostat.

THERMOSTAT OPERATION

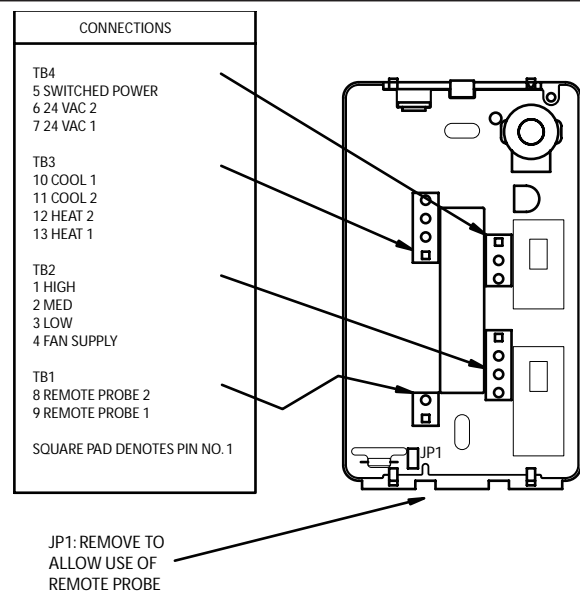
The TF155 is an Auto-Change Over Multistage Heating, Cooling thermostat. Heat on to Cool on dead band is 5°F nominal. Manually selecting the OFF position turns off all outputs. In the AUTO position the thermostat cycles either the HEAT or COOL outputs.



WARNING

- READ THESE INSTRUCTIONS CAREFULLY BEFORE ATTEMPTING TO INSTALL, OPERATE OR SERVICE THIS THERMOSTAT.
- Failure to observe safety information and comply with instructions could result in PERSONAL INJURY, DEATH AND/OR PROPERTY DAMAGE.
- To avoid electrical shock or damage to equipment, disconnect power before installing or servicing.
- To avoid potential fire and/ or explosion do not use in potentially flammable or explosive atmospheres.
- To avoid electric shock or damage to equipment, use only wiring with insulation rated for full thermostat operating voltage.
- Retain these instructions for future reference. This product, when installed, will be part of an engineered system whose specifications and performance characteristics are not designed or controlled by PECO, Inc. You must review your application and national and local codes to assure that your installation will be functional and safe.

CONNECTIONS



WIRING DIAGRAM

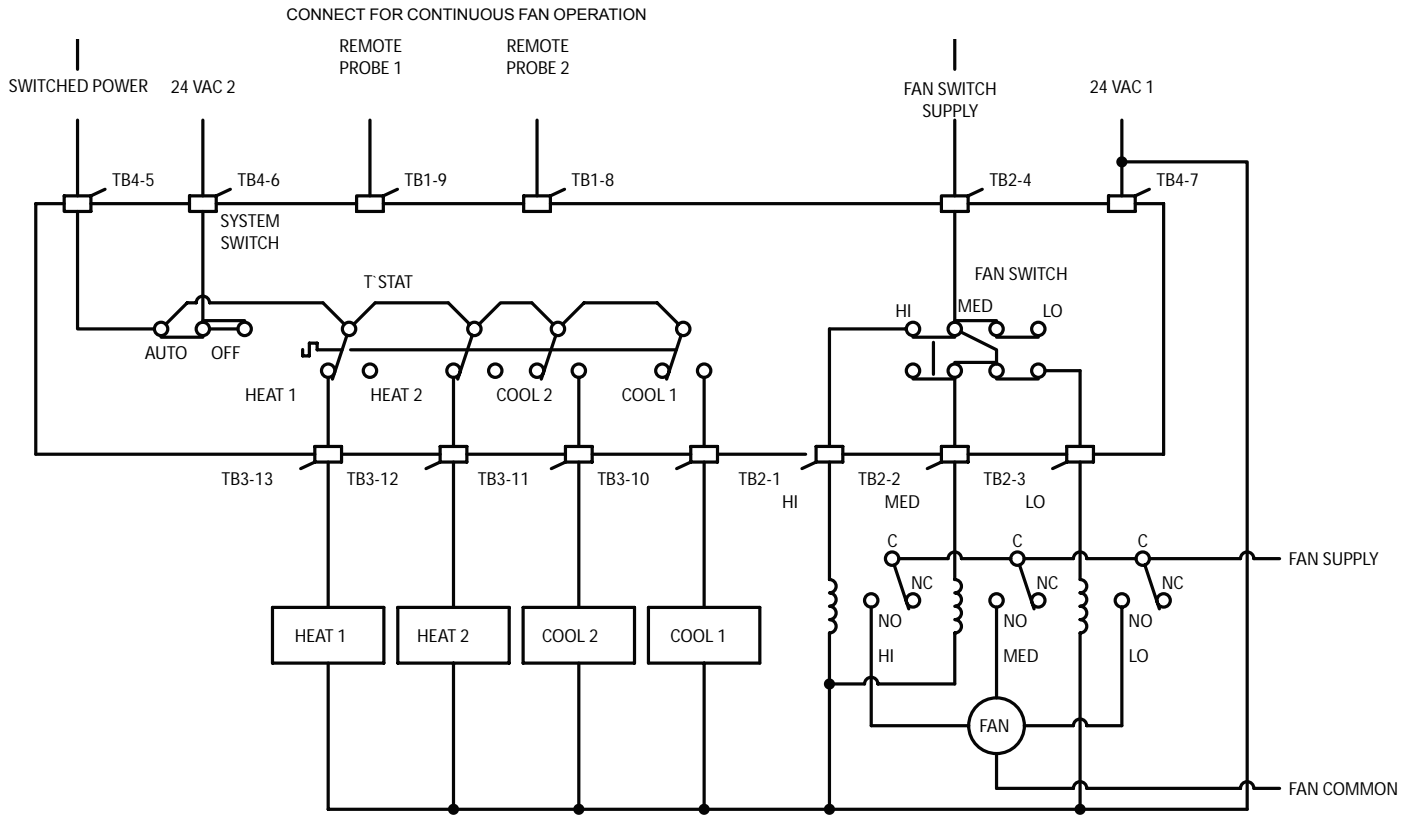


FIGURE 1
WIRING DIAGRAM SHOWING TYPICAL CONNECTIONS

